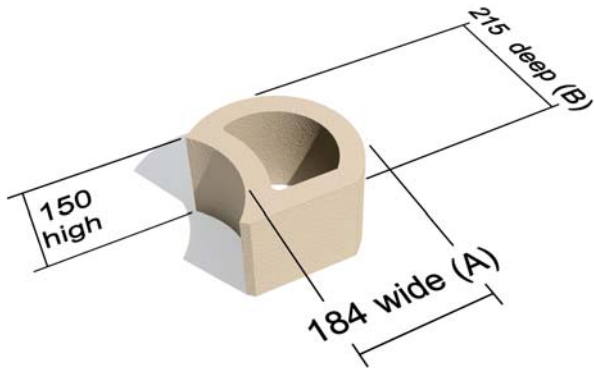


# TERRAFORCE®

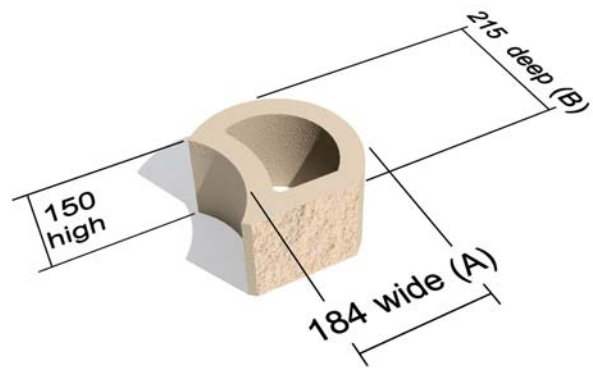
The original, reversible, hollow core retaining block



## TERRALITE

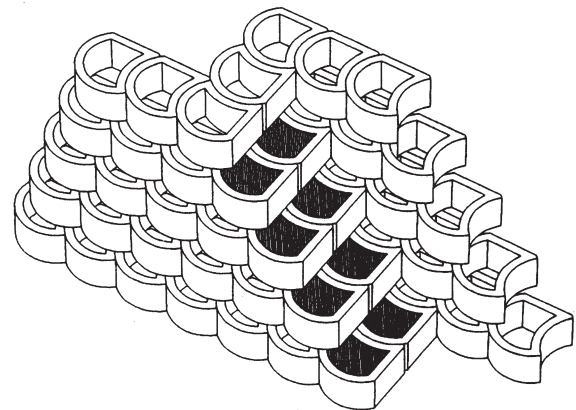
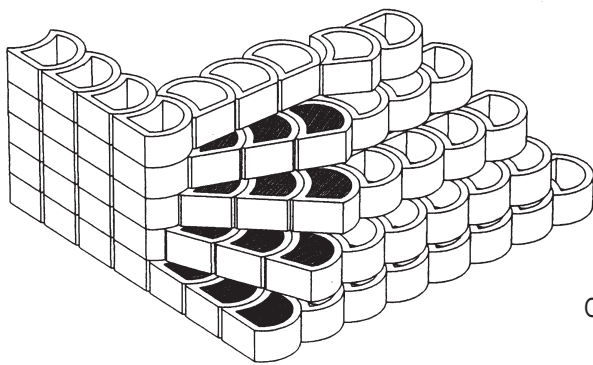
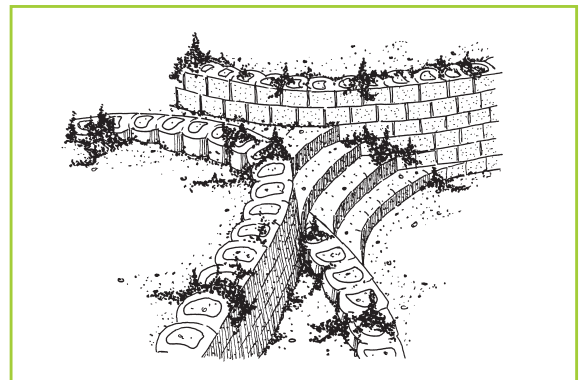


TERRALITE STANDARD



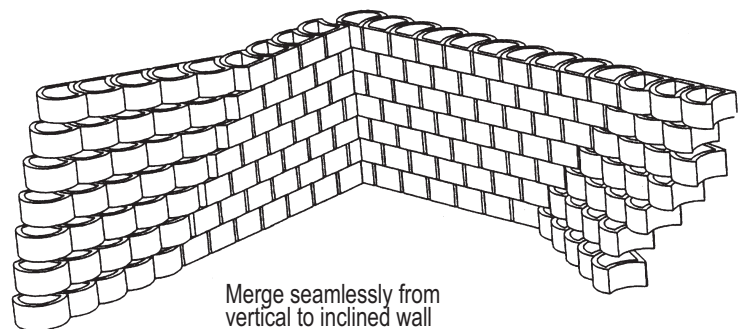
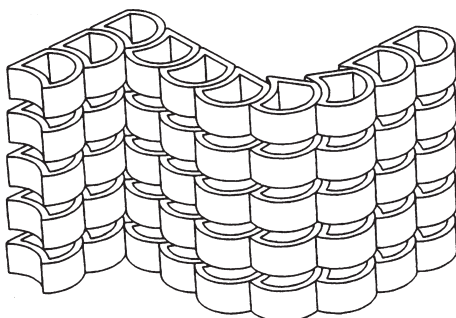
TERRALITE ROCKFACE

Block	Terralite
Blocks/m <sup>2</sup> (measured vertically)	36
Block mass/kg	8
Block infill volume/ m <sup>3</sup>	0.0027
Ave. constructed mass kg per m <sup>2</sup> of wall	430
Block wall thickness mm	35



Off set stairs

Sharp or wide convex & concave curves



Merge seamlessly from vertical to inclined wall

# TERRAFORCE®

The original, reversible, hollow core retaining block

**TERRALITE**



GARDENSCAPES



LIGHT GARDENSCAPES



DECORATIVE ROCK FACE GARDEN WALL AND ACCESS STAIRS



LIGHT RETAINING



LANDSCAPING TERRACES



GARDEN FEATURE