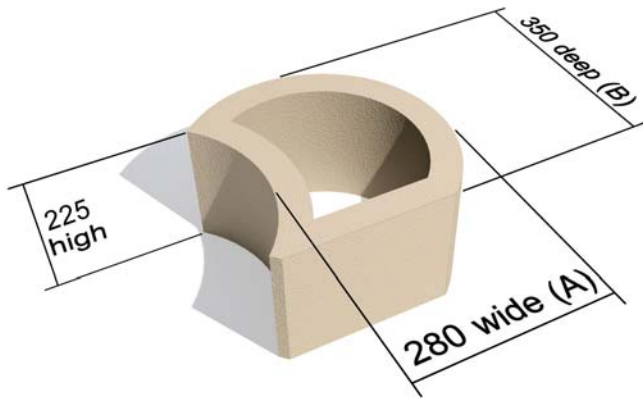
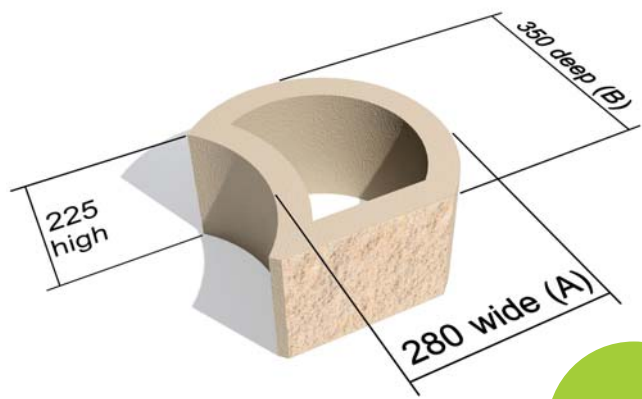


TERRAFORCE®

The original, reversible, hollow core retaining block



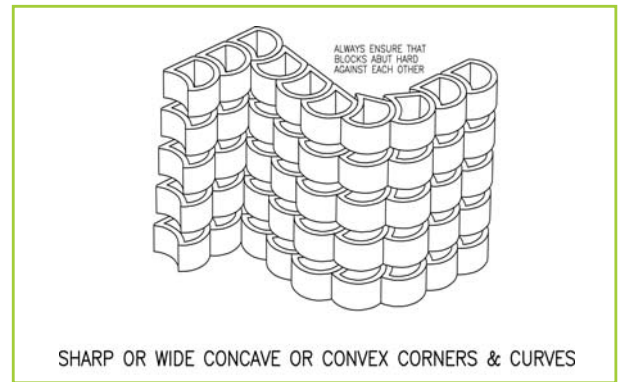
M15 STANDARD



M15 ROCKFACE

M15

Block	M15
Blocks/m ² (Measured vertically)	15.5
Block mass/kg (Average)	22
Block infill volume/m ³	0.011
Block wall thickness mm	45
Ave. constr. mass kg per m² of wall. Single Skin	
When filled with topsoil of 1500kg/m ³	597
When filled with gravel of 1900kg/m ³	665
When filled with concrete of 2400 kg/m ³	750

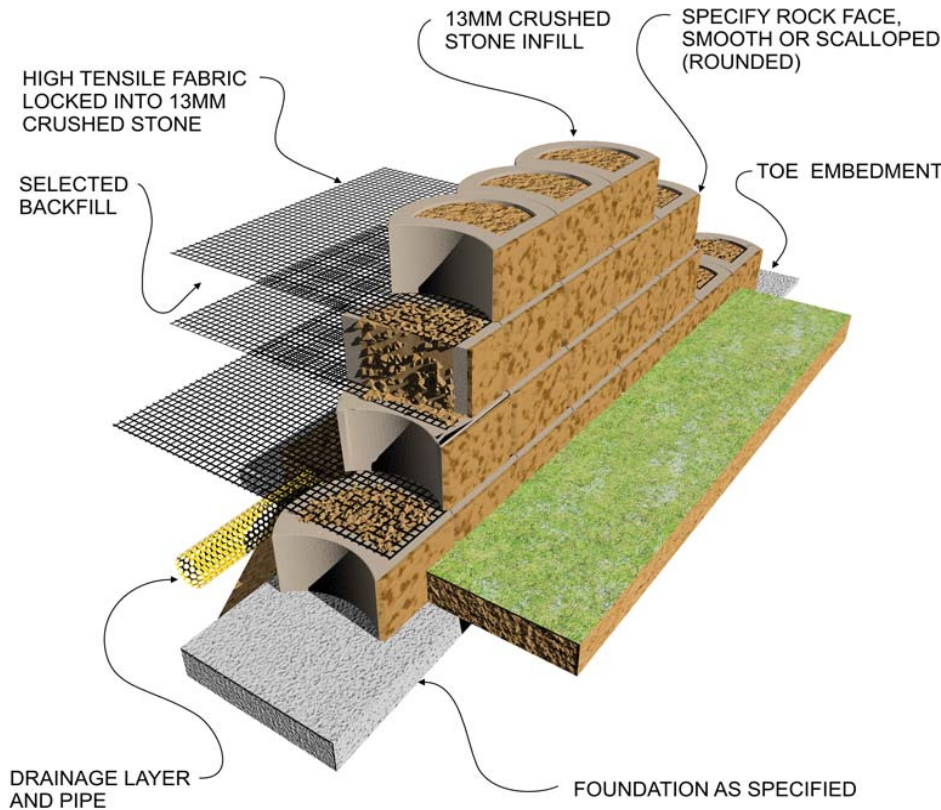


TERRAFORCE®

The original, reversible, hollow core retaining block

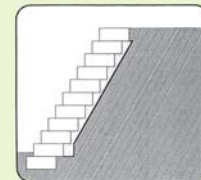


Composite Retaining Wall (Earth Reinforcement with Geogrid)

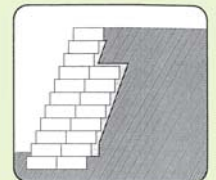


TERRAFORCE blocks have been substantially tested and analysed under field and laboratory conditions and are manufactured under licence by reputable manufacturers on five continents.

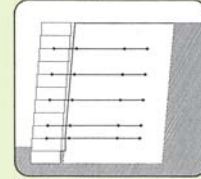
The blocks can be used as part of either a gravity system or as the fascia of a geosynthetic reinforced segmental retaining wall structure or as a fascia for a cement stabilized backfill.



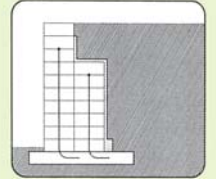
LIGHT GRAVITY WALL



MASS GRAVITY WALL

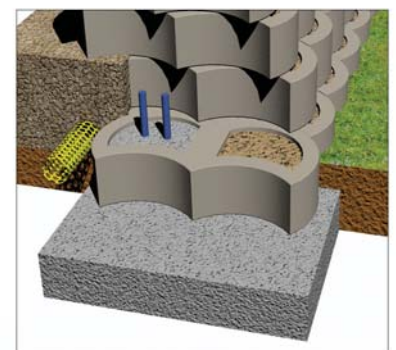
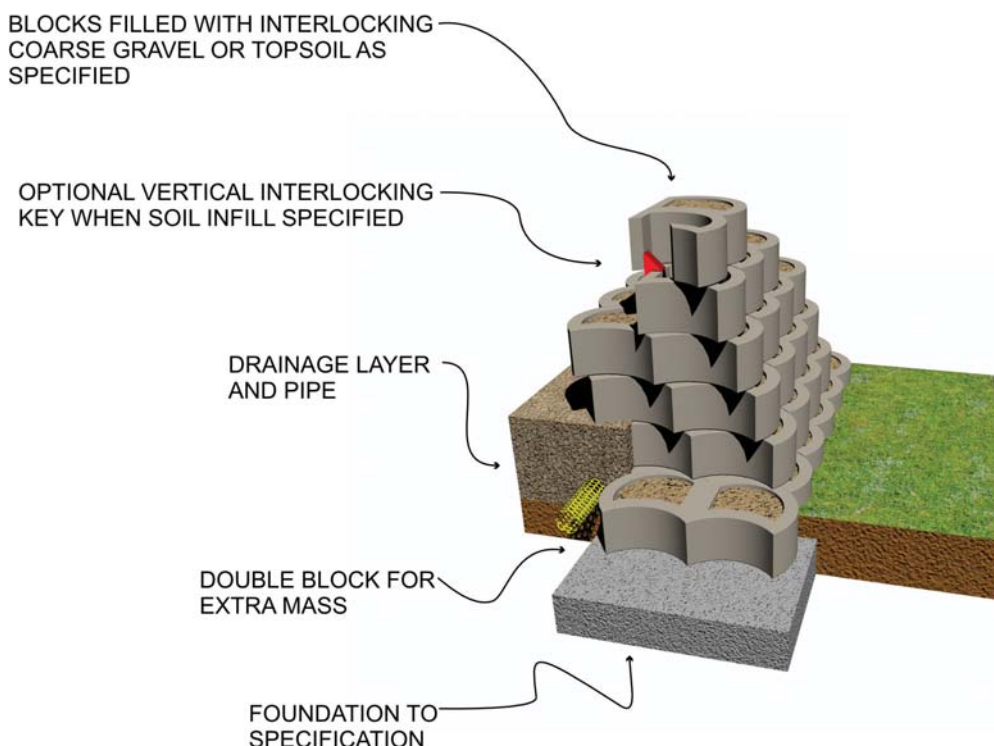


COMPOSITE STRUCTURE



VERTICAL R.C. FILLED WALL

Mass Gravity Retaining Wall



OPTIONAL R.C INFILL

TERRAFORCE®

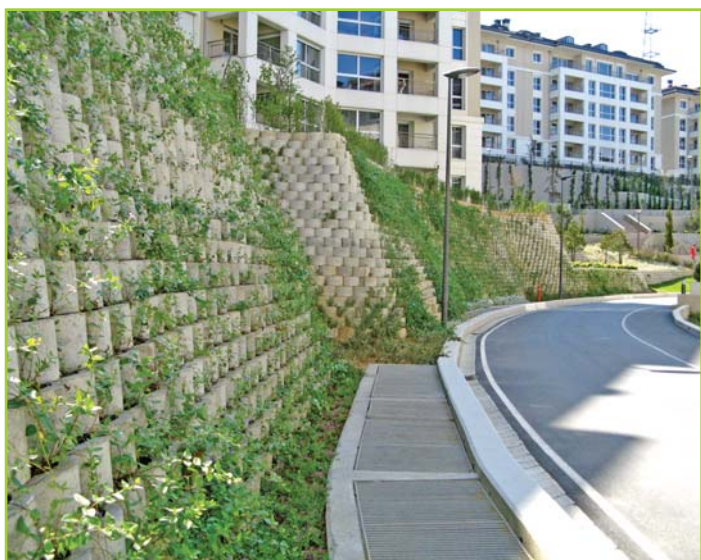
The original, reversible, hollow core retaining block



ROCK FACE BACKYARD LANDSCAPING



ROCK FACE AND SMOOTH FACE COMBO, GARDEN WALLS



CURVED AND PLANTED ROUND FACE WALL, OFFICE BLOCKS



ROUND FACE ROADSIDE RETAINING WALLS, WINE ESTATE



ROUND FACE BLOCK GARDEN TERRACES



A TERRAFORCE WALL WITH PLANT COVER IN FULL BLOOM