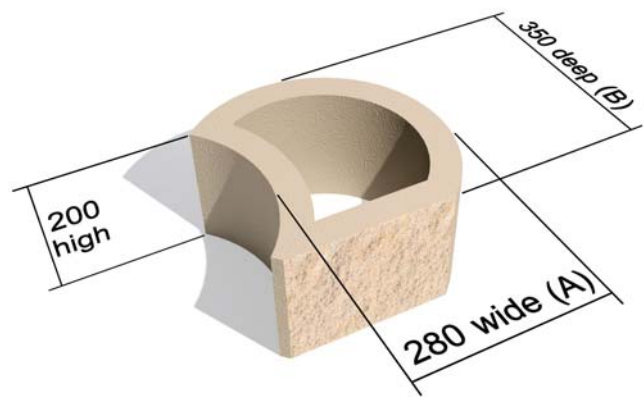
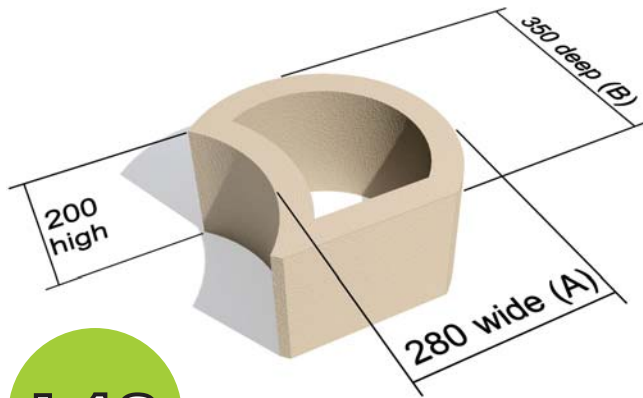


# TERRAFORCE®

The original, reversible, hollow core retaining block



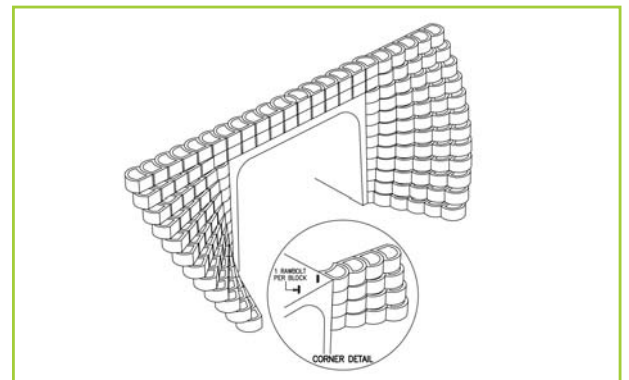
**L18**

L18 STANDARD

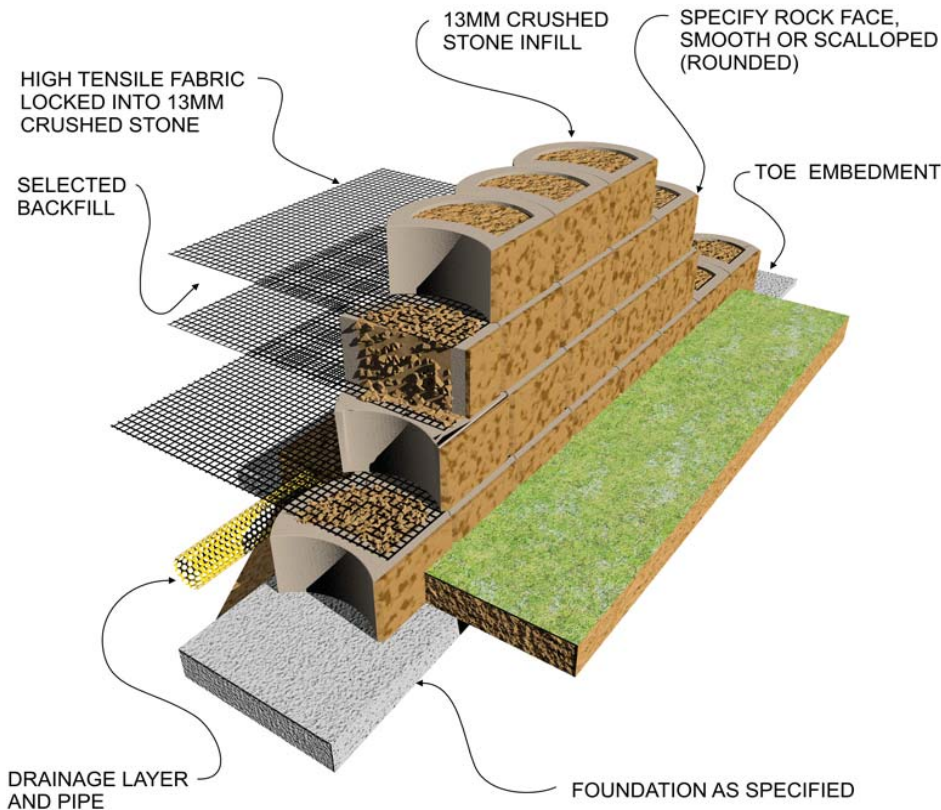
For variations check with your local supplier.

L18 ROCKFACE

Block	L18
Blocks/m <sup>2</sup> (Measured vertically)	18
Block mass/kg (Average)	20
Block infill volume/m <sup>3</sup>	0.011
Block wall thickness mm	45
<b>Ave. constr. mass kg per m<sup>2</sup> of wall. Single Skin</b>	
When filled with topsoil of 1500kg/m <sup>3</sup>	657
When filled with gravel of 1900kg/m <sup>3</sup>	736
When filled with concrete of 2400 kg/m <sup>3</sup>	835

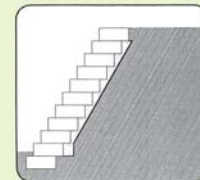


## Composite Retaining Wall (Earth Reinforcement with Geogrid)

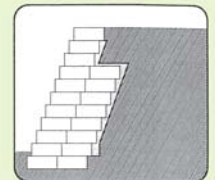


TERRAFORCE blocks have been substantially tested and analysed under field and laboratory conditions and are manufactured under licence by reputable manufacturers on five continents.

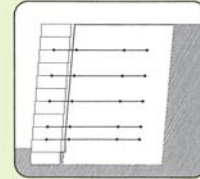
The blocks can be used as part of either a gravity system or as the fascia of a geosynthetic reinforced segmental retaining wall structure or as a fascia for a cement stabilized backfill.



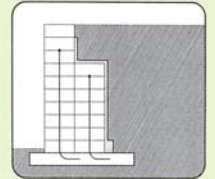
LIGHT GRAVITY WALL



MASS GRAVITY WALL



COMPOSITE STRUCTURE



VERTICAL R.C. FILLED WALL

## Mass Gravity Retaining Wall

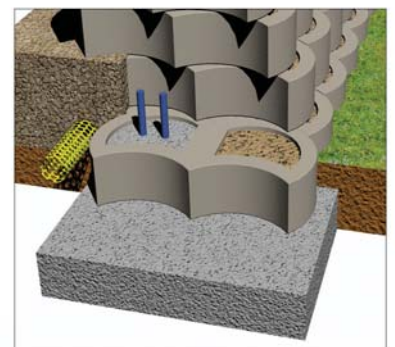
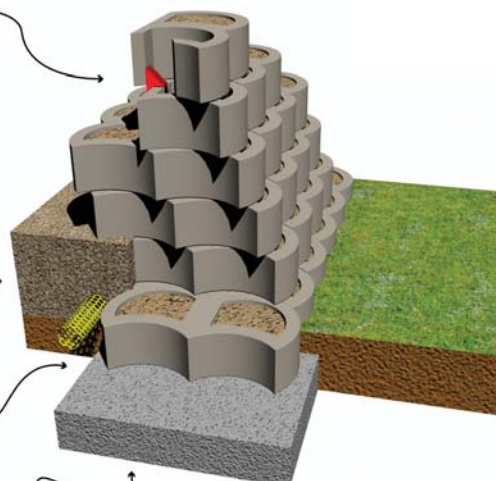
BLOCKS FILLED WITH INTERLOCKING COARSE GRAVEL OR TOPSOIL AS SPECIFIED

OPTIONAL VERTICAL INTERLOCKING KEY WHEN SOIL INFILL SPECIFIED

DRAINAGE LAYER AND PIPE

DOUBLE BLOCK FOR EXTRA MASS

FOUNDATION TO SPECIFICATION



OPTIONAL R.C. INFILL

# TERRAFORCE®

The original, reversible, hollow core retaining block

L18



STABILISING AND LANDSCAPING OF CUT & FILL SLOPES



PLANT SUPPORTIVE TERRACING



ROADSIDE STABILISATION ON CAPE WINE ESTATE



RIVER BANK AND LAKESHORE PROTECTION



ROADSIDE RETAINING, ROUND FACE BLOCK



OPEN AIR SEATING ARENA AND RETAINING