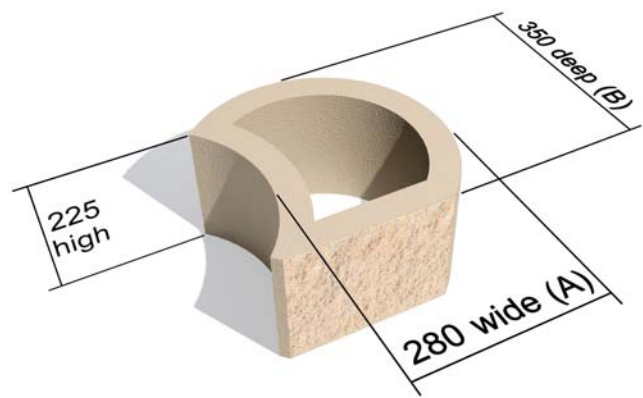
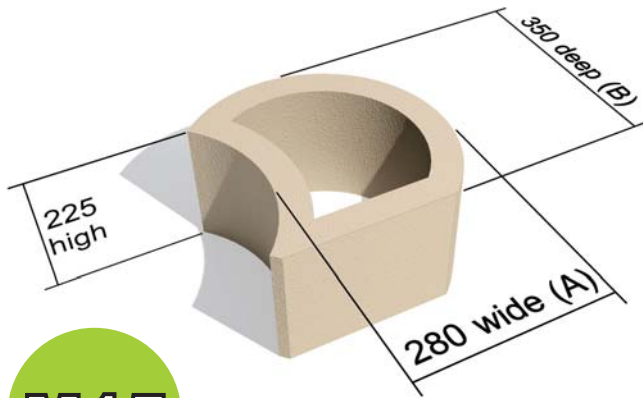


TERRAFORCE®

The original, reversible, hollow core retaining block



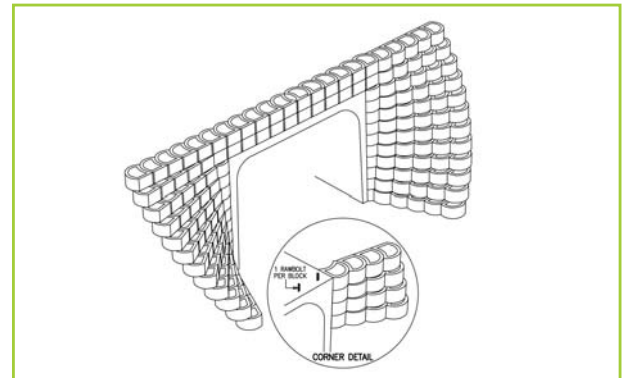
M15

M15 STANDARD

For variations check with your local supplier.

M15 ROCKFACE

Block	M 15
Blocks/m ² (Measured vertically)	15.5
Block mass/kg	22
Block infill volume/ m ³	0.011
Average constructed mass kg per m ² of wall	580
Block wall thickness mm	45



COMPOSITE RETAINING WALL (EARTH REINFORCED WITH GEOGRID)

LIGHT GRAVITY WALL

HEAVY GRAVITY WALL

COMPOSITE STRUCTURE

VERTICAL R.C. FILLED WALL