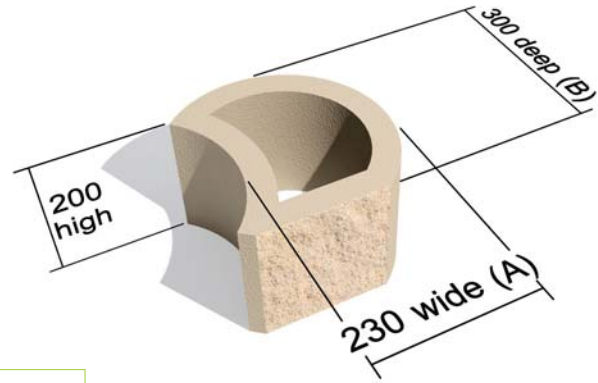
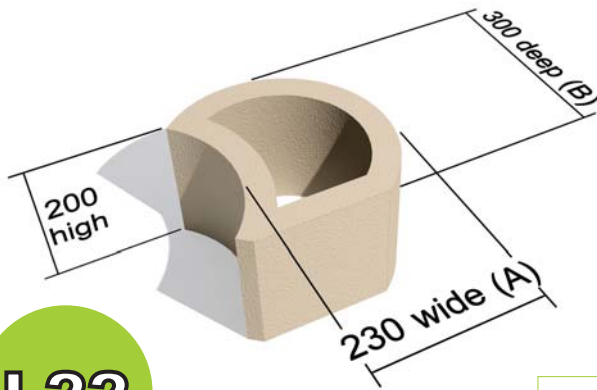


TERRAFORCE®

The original, reversible, hollow core retaining block



L22

L22 STANDARD

For variations check with your local supplier.

L22 ROCKFACE

Block	L22
Blocks/m ² (Measured vertically)	22
Block mass/kg	16
Block infill volume/ m ³	0.006
Average constructed mass kg per m ² of wall	550
Block wall thickness mm	40

